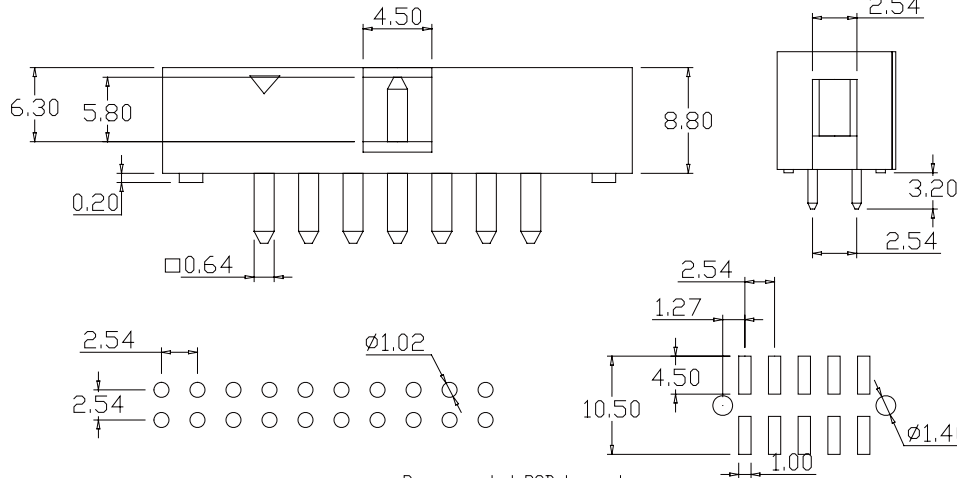
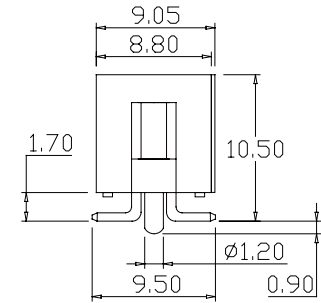
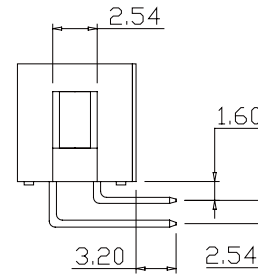
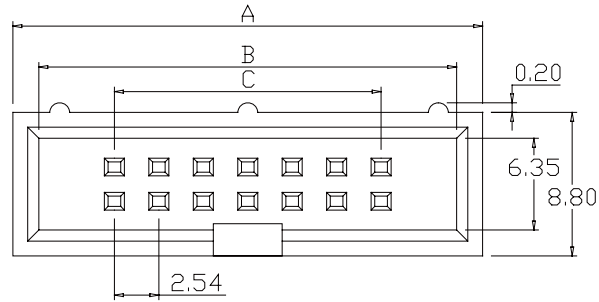


BY	CHK	REVISION RECORD MODIFICATIONS	DATE	REV.
ALLEN		RELEASE TO PRODUCTION	2007,8,3	1.0

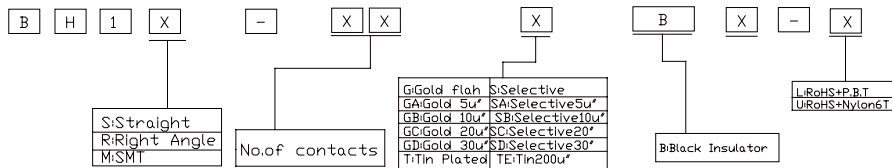
SPECIFICATION
 Current Rate: 3 AMP
 Insulation Resistance: 1000mΩ Min
 Contact Resistance: 20mΩ Max
 Dielectric voltage: 1000V AC for one minute
 Operation Temperature: -40°C to +105°C

MATERIAL
 Insulator: Polyester, UL94v-0
 Standard: P.B.T or Nylon 6T
 Contact Pin: Brass
 Finish: Tin, Gold Plated
 Standard: Gold Flash all over



Recommended PCB Layout
 (PCB TOLERANCE ±0.05)

Number of contacts	Dim A	Dim B	Dim C
6	15.24	12.90	5.08
8	17.90	15.44	7.62
10	20.30	18.00	10.16
12	22.98	20.52	12.70
14	25.40	23.09	15.24
16	27.95	25.65	17.78
20	33.05	30.75	22.85
24	38.15	35.85	27.94
26	40.65	38.35	30.48
30	45.70	43.45	35.56
34	50.80	48.50	40.64
40	58.40	56.15	48.26
44	63.85	61.39	53.54
50	71.12	68.80	60.96
60	83.85	81.50	73.66
64	88.90	86.60	78.74



APPRO	CHECK	DRAWN	PART NO.	BH1X-XXXBX-X	DESCRIPTION	
			ITEM NO.			
			DRAW NO.			
			UNIT	mm SCALE no		
			TOLER	NO.		
					Tel: 0769 22020068 Fax: 0769 22020069 E-mail: sales@vigortec.com	